

REVISED STARTING SERIAL # 060710016

MODEL C-10

PARTS LIST MANUAL



CRACK CHASER

(RANDOM CRACK SAW)



100 Thomas Johnson Drive, Frederick, MD 21702-4600 USA
Phone (301) 663-1600 • 1-800-638-3326
Fax (301) 663-1607 • 1-800-447-3326
Website: www.edcoinc.com • Email: sales@edcoinc.com

Printed in USA
©2006

READ AND UNDERSTAND THE OPERATORS INSTRUCTION MANUAL THOROUGHLY BEFORE ATTEMPTING TO OPERATE THIS EQUIPMENT. Death or serious injury could occur if this machine is used improperly.



SAFETY MESSAGES



The safety instructions are preceded by a graphic alert message of DANGER, WARNING, or CAUTION.



Indicates an imminent hazard which, if not avoided, will result in death or serious injury.



Indicates an imminent hazard which, if not avoided, can result in death or serious injury.



Indicates hazards which, if not avoided, could result in serious injury and or damage to the equipment.

GASOLINE Powered Equipment



- Do not operate gasoline powered equipment without adequate ventilation. Carbon monoxide is an invisible, odorless gas that can kill.

ELECTRICAL Powered Equipment



- ELECTRICAL HAZARD** - Be sure equipment is properly grounded. Failure to comply could kill or result in serious injury.



The engine exhaust from this product contains chemicals known to the State of California to cause cancer, birth defects or other reproductive harm.

GENERAL INSTRUCTIONS



- You must read and understand the operators instruction manual and all other manuals associated with this machine. For your safety and the safety of others around you, it is extremely important to fully understand how to operate this machine in the way it was intended. Different model machines or older/newer versions of the same model may have different parts and controls that you need to understand. If instructions are not readable or available DO NOT USE this machine and contact the factory for a replacement Manual.
- You must be able to physically handle the bulk weight and power of this machine. If not properly controlled this machine can cause death or serious injury.
- Do not operate this machine in an impaired mental state. You must be able to exercise good judgement and reactions to maintain a safe working environment.
- This is a "one person" machine which means only one operator can be operating the machine at any one time. For the safety of others, maintain a safe operating distance to other personnel. Your work area should be defined and appropriately marked so bystanders and coworkers do not stand or walk near this machine and end up seriously injured by flying debris or exposing them to harmful noise or dust.
- This equipment is for Commercial use. Although this is a "one person" machine your work team should understand how to shut this machine off and quickly get medical help if an accident strikes the operator.
- Keep all guards in place during operation. The guards are to provide protection from inadvertent contact with dangerous moving parts, pinch points, or hot surfaces.
- Wear appropriate Personal Protective Equipment (PPE) including safety glasses, safety boots, work gloves, respiratory protection, hearing protection, and head protection. Do not wear loose clothing that can get tangled in moving parts. Failure to do so could result

in dismemberment or death. **Wear an approved respirator when removing hazardous materials or when grinding/cutting dry materials. Some dust particles such as concrete dust can contain silicate particles which can cause silicosis (a very serious lung disease). Contact NIOSH or OSHA for further details. When wet grinding/cutting, avoid contact with the concrete/asphalt slurry which can cause serious skin irritations.**

- You must maintain this machine per the maintenance schedule in the operator manual. Remember before adjusting, servicing, or fueling this machine, disconnect the source of power to the machine by disconnecting the spark plug (Gas models), or by unplugging the electrical power cord (electric models) or air hose (Pneumatic models) AT THE MACHINE so you can assure yourself it remains unplugged while you are working on it. Do not modify this machine. Use only genuine EDCO parts and accessories. Repairs and service should be performed by approved EDCO dealers or authorized technicians.
- You should look carefully around the area before you begin work so you can identify potential hazards such as deck inserts, pipes, columns, openings, electrical cords or outlets, or any other objects protruding from the slab surface.
- This machine has no brain so you must use your own. There is no substitute for safety. The safety decals on the machine are to serve as a reminder for information you must already know before you begin using this machine. Take a moment to reread the safety decals each time you use the machine. If your machine is missing any decals, contact the factory for a replacement (EDCO 1-800-638-3326).

PARTS LIST MANUAL

MODEL C-10

<u>Section</u>	<u>Page Number</u>
Safety Messages / General Instructions	2
How To Order Replacement Parts	3
Illustration 1 : Main Grouping	4,5
Illustration 2 : Arbor Assembly	6
Illustration 3 : Engine & Belt Drive Grouping	7
Illustration 4 : Motor & Belt Drive Grouping	8,9
Illustration 5 : Motor Mounting Detail	10
Illustration 6 : Optional Wheel Kit	11
Limited Equipment Warranty	Back Page

C-10 CRACK CHASERS		
PART NO.	MODEL	POWER OPTIONS
49100	C10-9H	HONDA 9HP GX270
49500	C10-11H	HONDA 11HP GX340
49600	C10-13H	HONDA 13HP GX390
49700	C10-5B/230/1	BALDOR 5HP-1PHASE-230V
49400-230	C10-5B/230/3	BALDOR 5HP-3PHASE-230V
49400-460	C10-5B/460/3	BALDOR 5HP-3PHASE-460V

HOW TO ORDER REPLACEMENT PARTS

- To insure product safety and reliability, always use genuine EDCO replacement parts when making repairs to the equipment.
- When calling for parts, specify the MODEL and SERIAL NUMBER of the machine which can be found on the NAME PLATE. Keep that information in the space provided. In addition to this information, give part number, description and quantity as listed on the parts list to your parts representative.
- Please note: Due to improvements and changes in the equipment, the illustrations shown may be different than the actual machine.

FILL IN INFORMATION BELOW

Date of Purchase _____

Name of Machine _____

Model # _____

Serial # _____

Belt Size(s) _____

Toll Free: 1-800-638-3326

FAX: 1-800-447-3326

email: sales@edcoinc.com

www.edcoinc.com



100 Thomas Johnson Drive, Frederick, MD 21702-4600 USA

Phone (301) 663-1600 • 1-800-638-3326

Fax (301) 663-1607 • 1-800-447-3326

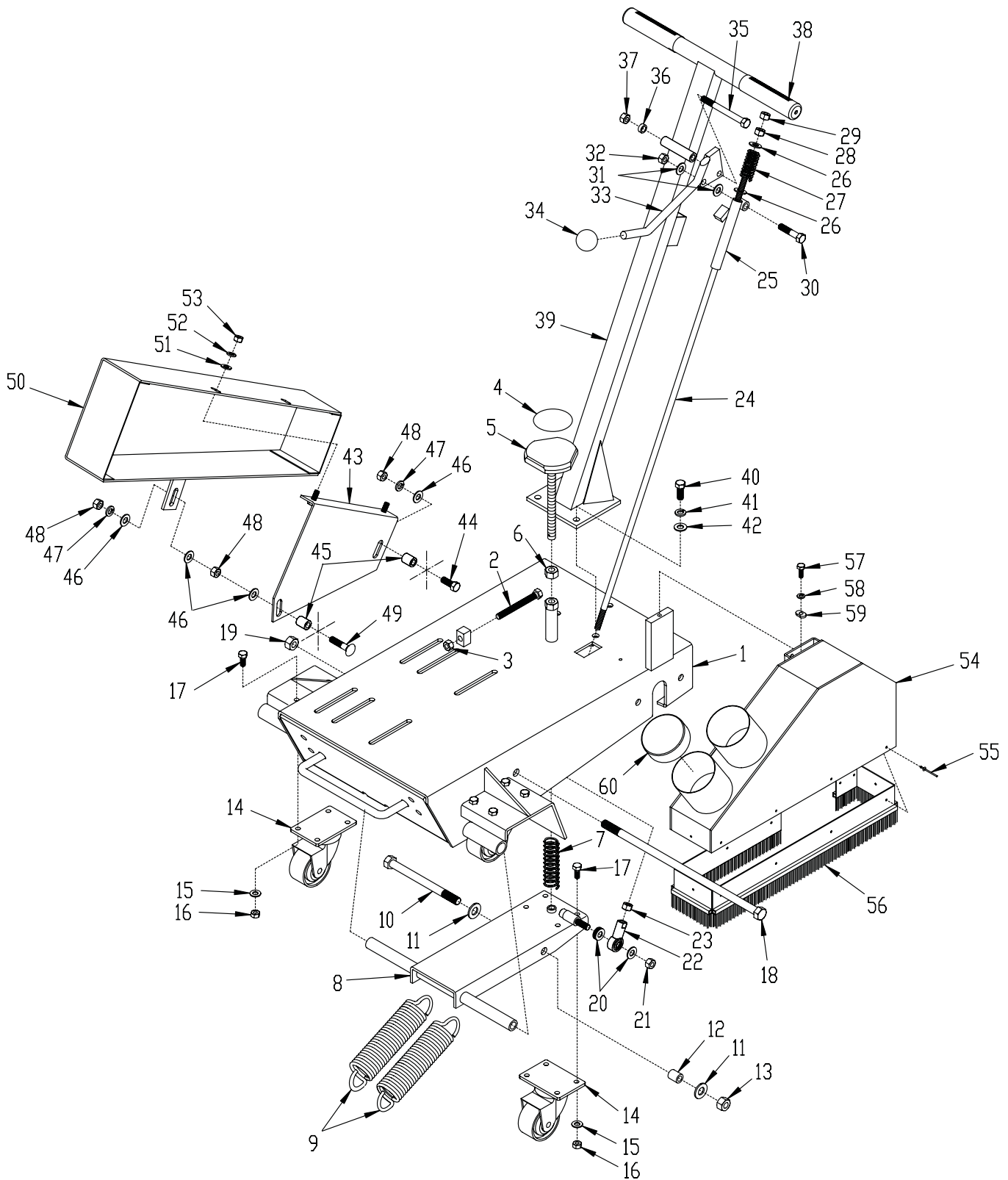
Website: www.edcoinc.com • Email: sales@edcoinc.com

Printed in USA

©2006

Page 3

ILLUSTRATION 1 : MAIN GROUPING

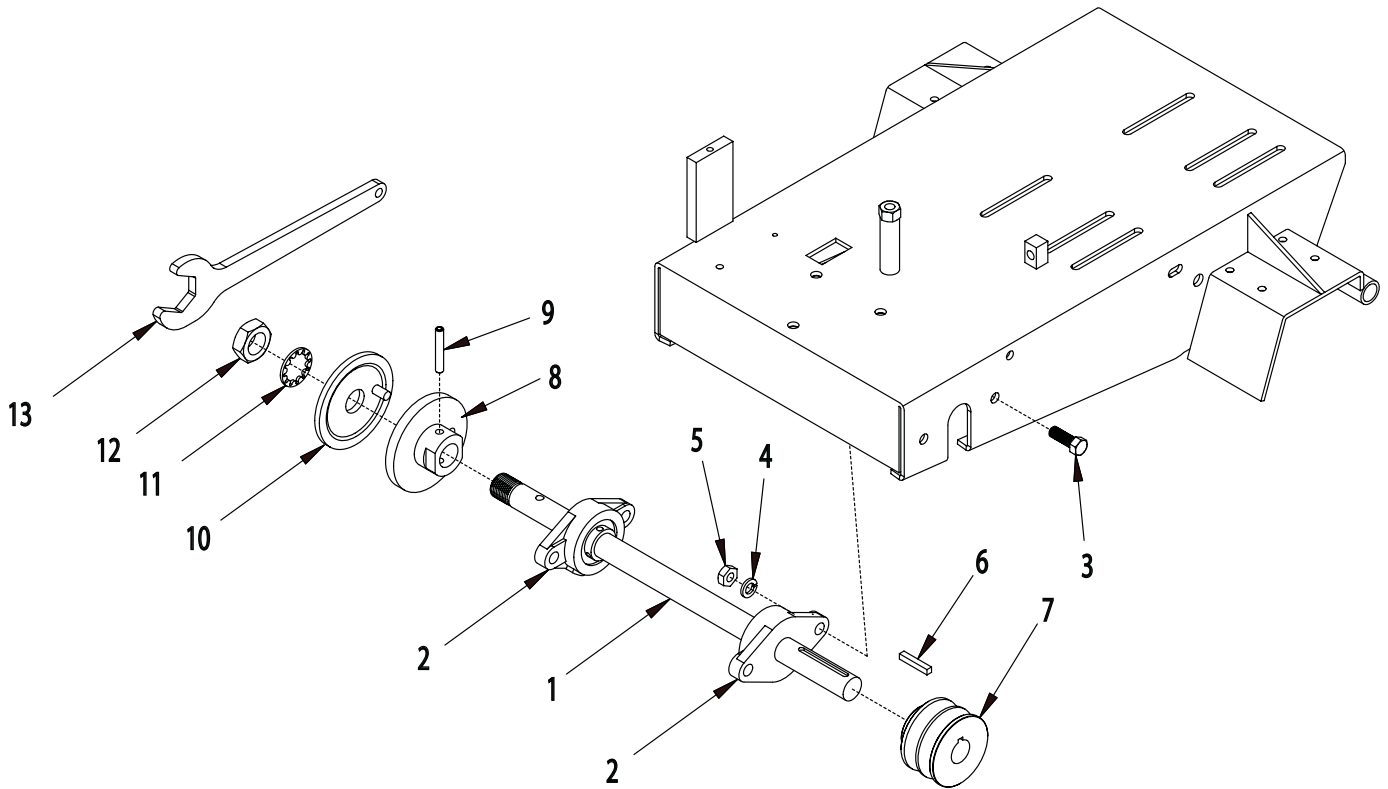


PARTS LISTING - ILLUSTRATION 1 : MAIN GROUPING

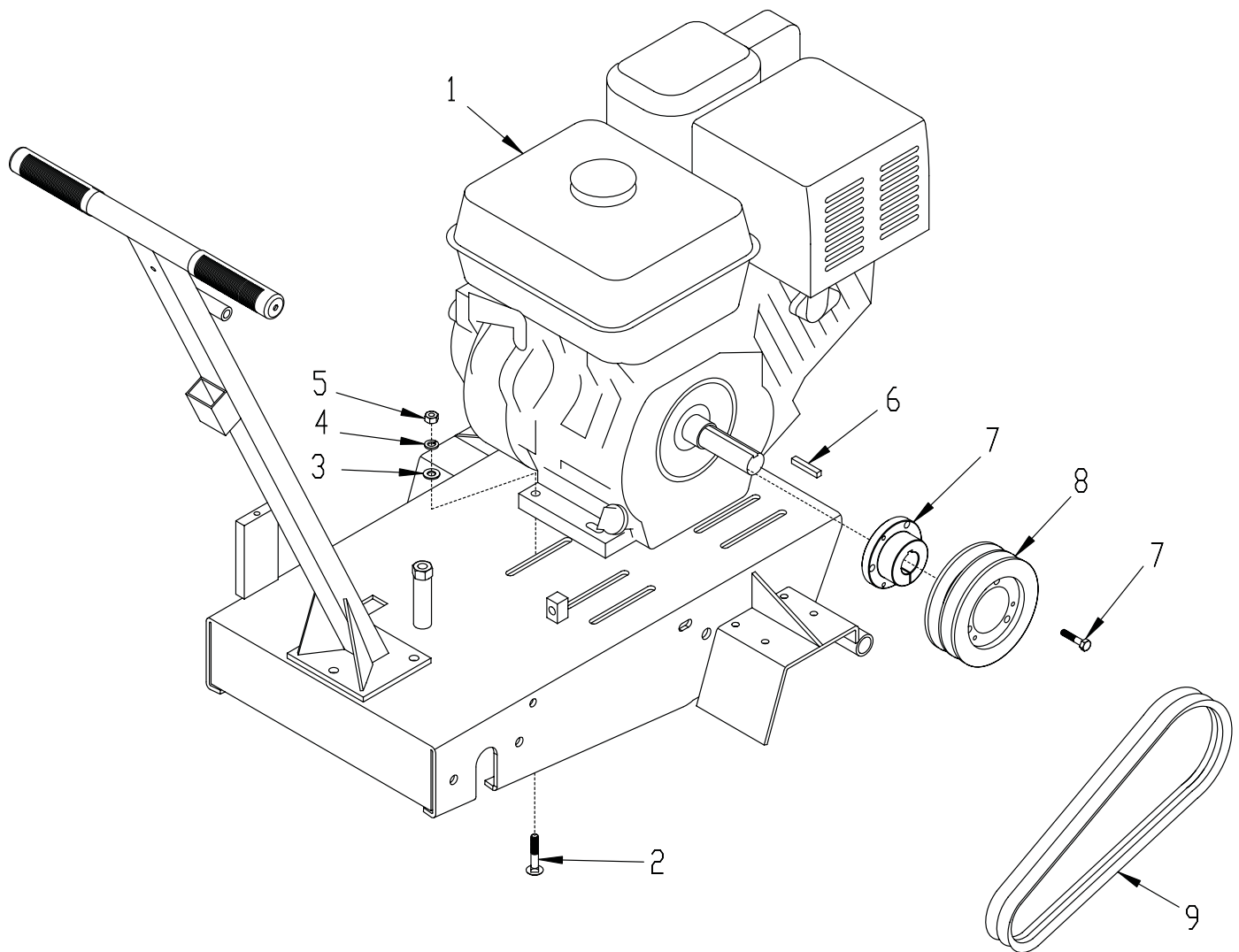
ITEM#	PART#	DESCRIPTION	QTY.	ITEM#	PART#	DESCRIPTION	QTY.
1	49001	MAIN FRAME	1	33	49007	LEVER, DISENGAGE	1
2	52015	BOLT, TAP 3/8-16 X 3-1/2(FULL THD.)	1	34	14023	KNOB, BALL 1-3/8 W/ 1/2-13THD, BLK.	1
3	10404	NUT 3/8-16	1	35	49023	SCREW, CAP 3/8-16 X 3-3/4	1
4	80007	DECAL, CUT CONTROL - DN/UP (SMALL)	1	36	10113	SPACER, STEEL 9/16OD X 3/8ID X 7/32	2
5	49014	KNOB, CONTROL W/ 1/2-13 X 6-3/4"ROD	1	37	10156	NUT, HEX NYLON LOCK 3/8-16	1
6	10417	NUT 1/2-13	1	38	79022	GRIP, HAND 1" MODEL RG	2
7	10922	SPRING, COMP. 1"OD X 3.75"FL	1	39	49008	HANDLE BAR	1
8	49002	FORK	1	40	10055	SCREW, CAP 3/8-16 X 1	3
9	41041	SPRING, EXT. 1.75"OD X 8"L	2	41	10811	WASHER, LOCK 3/8	3
10	10329	SCREW, CAP 1/2-20 X 6	1	42	10025	WASHER, FLAT 3/8 SAE	3
11	10312	WASHER, FLAT 1/2 SAE	2	43	49009	BRACKET, BELT COVER	1
12	40312	SPACER, STEEL 1/2"ID X 1-1/8"L	1	44	10055	SCREW, CAP 3/8-16 X 1	1
13	10205	NUT, LOCK 1/2-20	1		*27029	SCREW, CAP 3/8-16 X 1-3/4	1
14	49003	CASTER, SWIVEL 2-1/2 X 1-1/4	3	*45	52045	SPACER, STEEL 5/8OD X 3/8ID X 3/4L	2
15	10213	WASHER, FLAT 5/16 SAE	12	46	10025	WASHER, FLAT 3/8 SAE	4
16	10807	NUT, LOCK 5/16-18	12	47	10811	WASHER, LOCK 3/8	2
17	10053	SCREW, CAP 5/16-18 X 3/4	12	48	10404	NUT 3/8-16	3
18	52014	SCREW, HEX HD CAP 1/2-13 X 14	1	49	10087	BOLT, CARRIAGE 3/8-16 X 1-3/4 F.T.	1
19	10407	NUT, LOCK 1/2-13	1		*10908	BOLT, CARRIAGE 3/8-16 X 2-1/2	1
20	10025	WASHER, FLAT 3/8 SAE	5	50	49010	COVER, BELT	1
21	10004	NUT, LOCK 3/8-24	1	51	10213	WASHER, FLAT 5/16 SAE	2
22	10919	ROD END, FEMALE 3/8-24 R.H. THREAD	1	52	10801	WASHER, LOCK 5/16	2
23	10014	NUT 3/8-24	1	53	10054	NUT 5/16-18	2
24	49004	LINKAGE, DISENGAGE 3/8 X 31-1/2"L	1	54	49011	GUARD, BLADE	1
25	49005	LINKAGE SUPPORT, UPPER	1	55	10128	RIVET, BLIND 1/8 X .250L X .262HD	10
26	10025	WASHER, FLAT 3/8 SAE	2	56	49012	BRUSH 1" X 32-1/2"L	1
27	51035	SPRING, COMP. .828"OD X 2"FL	1	57	10018	SCREW, CAP 1/4-20 X 3/4	1
28	10014	NUT 3/8-24	1	58	10038	WASHER, LOCK 1/4	1
29	10004	NUT, LOCK 3/8-24	1	59	49013	TAB, BLADE GUARD STOP	1
30	10029	SCREW, CAP 3/8-24 X 1-3/4	1	60	64030	PLUG, CAP 3" TUBE	2
31	10025	WASHER, FLAT 3/8 SAE	2	*USED ON SINGLE PHASE UNITS ONLY			
32	10004	NUT, LOCK 3/8-24	1				



ILLUSTRATION 2 : ARBOR ASSEMBLY



ITEM#	PART#	DESCRIPTION	QTY.
1	69050	ARBOR SHAFT 19-1/4"L	1
2	62022	BEARING, BALL 1" 2-HOLE FLANGE	2
3	10003	SCREW, CAP 7/16-20 X 1-1/4	4
4	10450	WASHER, LOCK 7/16	4
5	10481	NUT 7/16-20	4
6	10301	KEY 1/4 SQ X 1-1/2	1
7	79024	SHEAVE 3"OD X 2GR.B X 1"BORE	1
8	56026	ARBOR BACKING PLATE 4"	1
9	10211	PIN, ROLL 5/16 X 2	1
10	56025	ARBOR BLADE CAP 4"OD W/1"HOLE	1
11	55009	WASHER, LOCK, INT. TOOTH 1"	1
12	50019	NUT, JAM 1-14	1
13	50445	WRENCH, ARBOR 1-1/2	2

ILLUSTRATION 3 : ENGINE & BELT DRIVE GROUPING


ITEM#	PART#	DESCRIPTION	QTY.
1		ENGINE, HONDA	1
	15027	9 HP GX270-QXC9	
	79045	11 HP GX340K1-QXC9	
	15029	13 HP GX390K1-QXC9	
2	10918	BOLT, CARRIAGE 5/16-18 X 1-3/4 F.T.	4
3	10213	WASHER, FLAT 5/16 SAE	4
4	10801	WASHER, LOCK 5/16	4
5	10054	NUT 5/16-18	4
6	10301	KEY 1/4 SQ X 1-1/2	1
7	10043	BUSHING, SHEAVE SDS X 1"BORE	1
8	79032	SHEAVE 5"OD X 2GR.B X SDS	1
9	85028	BELT 5L-440	2



100 Thomas Johnson Drive, Frederick, MD 21702-4600 USA
 Phone (301) 663-1600 • 1-800-638-3326
 Fax (301) 663-1607 • 1-800-447-3326
 Website: www.edcoinc.com • Email: sales@edcoinc.com

Printed in USA

©2006

Page 7

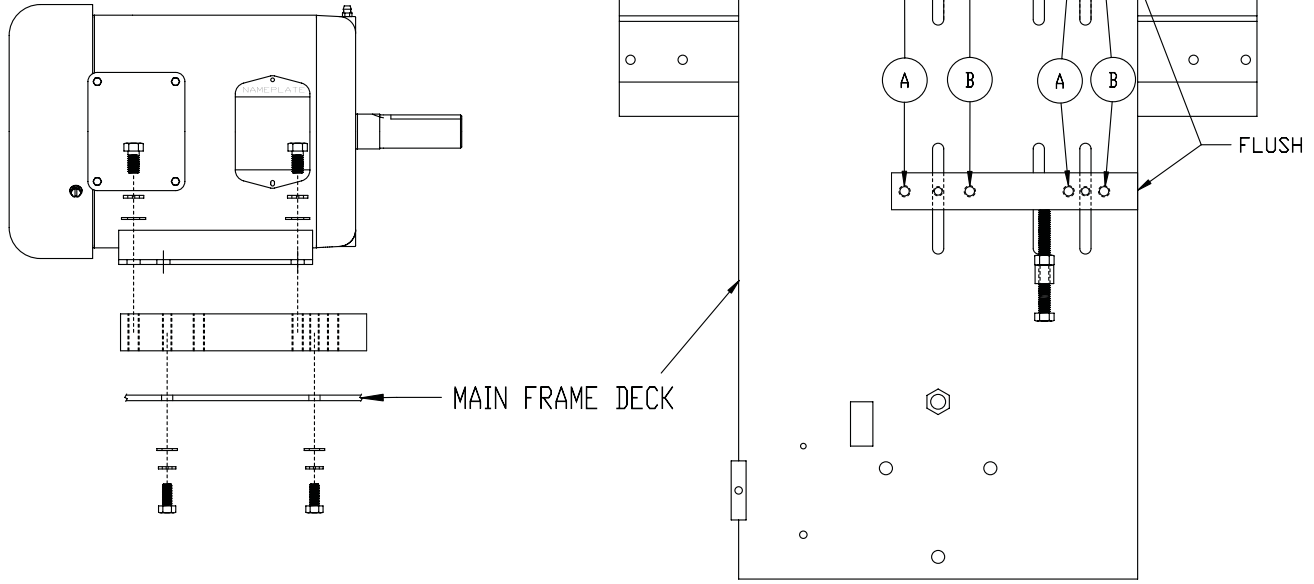
PARTS LISTING - ILLUSTRATION 4 : MOTOR & BELT DRIVE GROUPING			
ITEM#	PART#	DESCRIPTION	QTY.
1		MOTOR, BALDOR	1
	81026	5HP-1PH 60HZ-230V 3450RPM (SHOWN IN ILLUSTRATION)	
	81022	5HP-3PH-60HZ-230/460V 3450RPM	
2	10301	KEY 1/4 SQ X 1-1/2	1
3	10558	BUSHING, SHEAVE SDS X 1-1/8"BORE	1
4	79032	SHEAVE 5"OD X 2GR.B X SDS	1
5	85028	BELT 5L-440	2
6	10055	SCREW, CAP 3/8-16 X 1	4
7	10811	WASHER, LOCK 3/8	4
8	10025	WASHER, FLAT 3/8 SAE	4
9	10806	SCREW, CAP 5/16-18 X 1	4
10	10801	WASHER, LOCK 5/16	4
11	10213	WASHER, FLAT 5/16 SAE	4
12	49021	MOUNT BAR, MOTOR	2
13	10740	CONDUIT LOCK NUT 3/4 NP	1
14	10959	STRAIN RELIEF 3/4 NPT X .550-.650"	1
15	49025	WIRE HARNESS 10/3 X 34" (1 PHASE UNITS)	1
	49027	WIRE HARNESS 12/4 X 34" (3 PHASE UNITS)	1
16		STARTER	1
	16405	11-M1-BRF-P23-23-23060 (230V, 3 PHASE UNITS)	
	16406	11-M1-BRF-P14-10-46060 (460V, 3 PHASE UNITS)	
	16410	11-M1-BRF-P30-26-23060 (230V, 1 PHASE UNITS)	
17	86027	MOUNTING BRKT., LOVATO STARTER	1
18	10362	SCREW, MACHINE 8-32 X 3/4	4
19	10038	WASHER, LOCK 1/4	4
20	10462	NUT 8-32	4
21	10846	SCREW, CAP STSHW 1/4-20 X 1/2	2
22	10038	WASHER, LOCK 1/4	2
23	10740	CONDUIT LOCK NUT 3/4 NP	2
24	77081	WASHER, FLAT 1-9/16 X 1-1/16 X .06	2
25	10959	STRAIN RELIEF 3/4 NPT X .550-.650"	2
26	49024	WIRE HARNESS 10/3 X 22" (1 PHASE UNITS)	1
	49026	WIRE HARNESS 12/4 X 22" (3 PHASE UNITS)	1
*27	40037	PLUG, LOCKING 20A/250V	1
*28	40000	PLUG CONNECTOR, LOCKING 20A/250V	1
29	91177	DECAL, STOP-RESET & START (STARTER)	1
	*NOTE:	PLUG AND CONNECTOR (ITEMS 27 & 28) ARE NOT INCLUDED WITH THREE PHASE UNITS.	



ILLUSTRATION 5 : MOTOR MOUNTING DETAIL

"A" for 3 Phase Motor
"B" for 1 Phase Motor

BALDOR CAT. NO. M3613T
5 H.P. 3 PHASE 60 Hz
230/460 VOLT 12/6 F.L.AMPS
3450 RPM



BALDOR CAT. NO. L3608T
5 H.P. 1 PHASE 60 Hz
230 VOLT 19.5 F.L.AMPS
3450 RPM

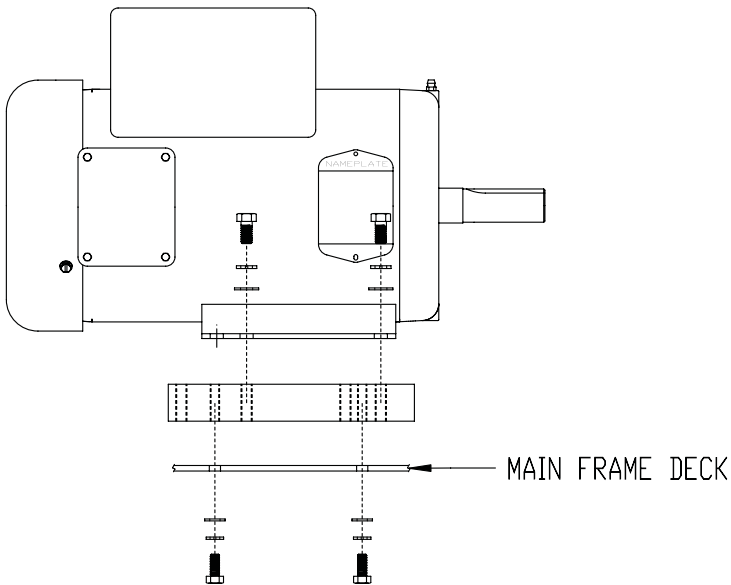
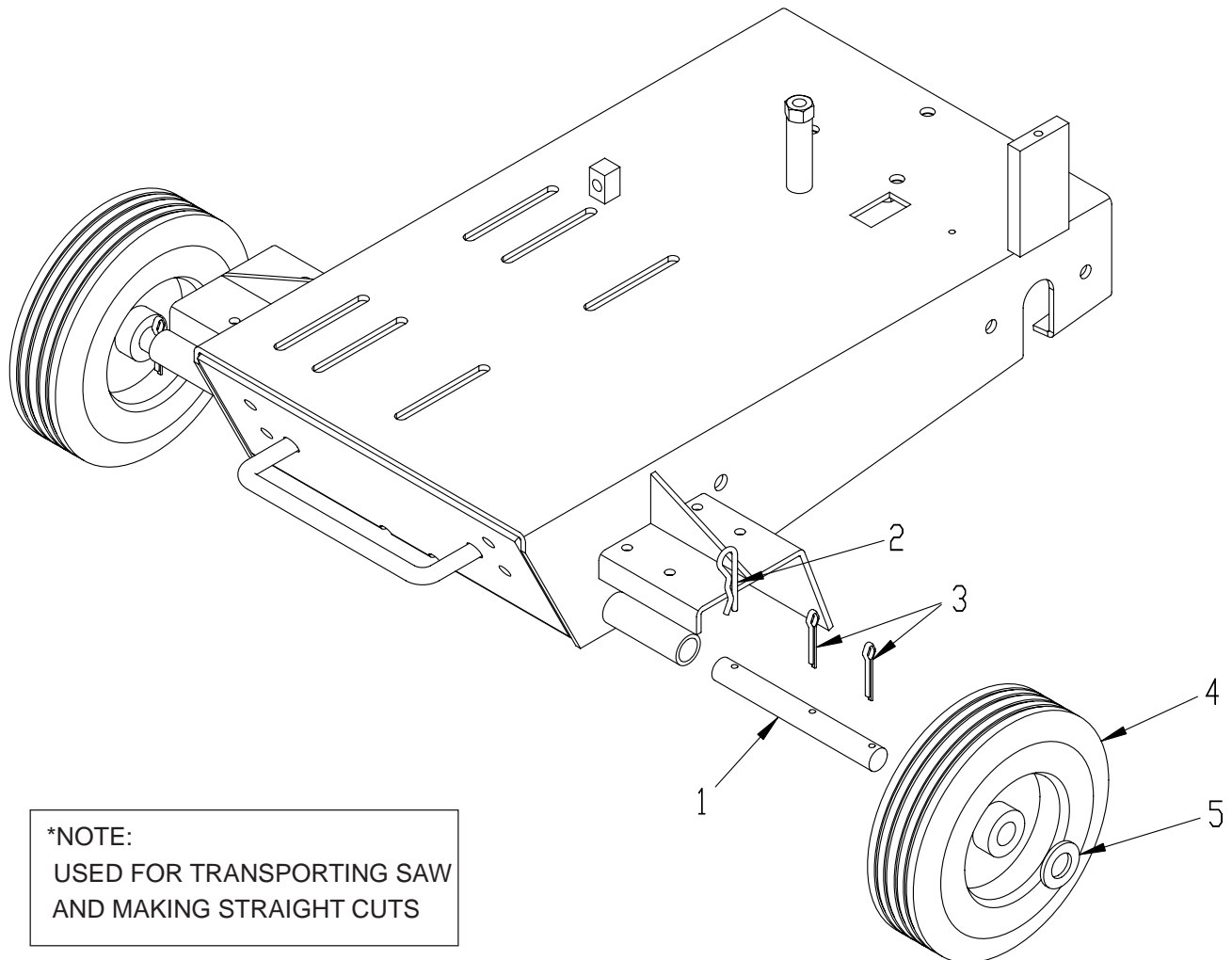


ILLUSTRATION 6 : OPTIONAL WHEEL KIT


***NOTE:**
USED FOR TRANSPORTING SAW
AND MAKING STRAIGHT CUTS

ITEM#	PART#	DESCRIPTION	QTY.
-	49015	WHEEL KIT (INCLUDES ITEMS 1 THRU 5)	-
1	49017	AXLE SHAFT 3/4" DIA. X 6-1/2" L	2
2	10124	PIN, HAIR COTTER 1"	2
3	10306	PIN, COTTER 3/16 X 1-1/4	4
4	80028	WHEEL 6 X 2 X 3/4" BRG.	2
5	10009	WASHER, FLAT 3/4 SAE	2



LIMITED EQUIPMENT WARRANTY OF SALE – TERMS & CONDITIONS

Equipment Development Company, Inc. herein referred to as EDCO (Seller) warrants that each new unit manufactured by EDCO to be free from defects in material and workmanship in normal use and service for a period of (1) one year (except for the cutter drum assembly on all model concrete/asphalt planes, in which case the warranty period shall be 90 days) from date of shipment to the original retail or equipment rental center owner.

Accessories or equipment furnished and installed on the product by EDCO but manufactured by others, including, but not limited to engines, motors, electrical components, transmissions etc., shall carry the accessory manufacturers own warranty.

EDCO will, at its option, repair or replace, at the EDCO factory or at a point designated by EDCO, any part which shall appear to the satisfaction of EDCO inspection to have been defective in material or workmanship.

EDCO reserves the right to modify, alter and improve any part or parts without incurring any obligation to replace any part or parts previously sold without such modified, altered or improved part or parts.

This warranty is in lieu of and excludes all other warranties, expressed, implied, statutory, or otherwise created under applicable law including, but not limited to the warranty of merchantability and the warranty of fitness for a particular purpose in no event shall seller or the manufacturer of the product be liable for special, incidental, or consequential damages, including loss of profits, whether or not caused by or resulting from the negligence of seller and/or the manufacturer of the product unless specifically provided herein. In addition, this warranty shall not apply to any products or portions thereof which have been subjected to abuse, misuse, improper installation, maintenance, or operation, electrical failure or abnormal conditions and to products which have been tampered with, altered, modified, repaired, reworked by anyone not approved by seller or used in any manner inconsistent with the provisions of the above or any instructions or specifications provided with or for the product

FORCE MAJEURE

Seller's obligation hereunder are subject to, and Seller shall not be held responsible for, any delay or failure to make delivery of all or any part of the Product due to labor difficulties, fires, casualties, accidents, acts of the elements, acts of God, transportation difficulties, delays by a common carrier, inability to obtain Product, materials or components or qualified labor sufficient to timely perform part of or all of the obligations contained in these terms and conditions, governmental regulations or actions, strikes, damage to or destruction in whole or part of manufacturing plant, riots, terrorist attacks or incidents, civil commotions, warlike conditions, flood, tidal waves, typhoon, hurricane, earthquake, lightning, explosion or any other causes, contingencies or circumstances within or without the United States not subject to the Seller's control which prevent or hinder the manufacture or delivery of the Products or make the fulfillment of these terms and conditions impracticable. In the event of the occurrence of any of the foregoing, at the option of Seller, Seller shall be excused from the performance under these Terms and Conditions, or the performance of the Seller shall be correspondingly extended.

This document sets forth the terms and conditions pursuant to which the purchaser ("Purchaser") will purchase and Equipment Development Co. Inc. ("Seller") will sell the products, accessories, attachments (collectively the Products) ordered by the Purchaser. These terms and conditions shall govern and apply to the sale of Seller's Products to Purchaser, regardless of any terms and conditions appearing on any purchase order or other forms submitted by Purchaser to Seller, or the inconsistency of any terms therein and herein.

1. PRICE

All prices set forth on any purchase order or other document are F.O.B. Seller's facility or distribution point, as may be determined by Seller (F.O.B. Point). All prices are exclusive of any and all taxes, including, but not limited to, excise, sales, use, property or transportation taxes related to the sale or use of the Products, now or hereafter imposed, together with all penalties and expenses. Purchaser shall be responsible for collecting and/or paying any and all such taxes, whether or not they are stated in any invoice for the Products. Unless otherwise specified herein, all prices are exclusive of inland transportation, freight, insurance and other costs and expenses relating to the shipment of the Products from the F.O.B. point to Purchaser's facility. Any prepayment by Seller of freight insurance and other costs shall be for the account of Purchaser and shall be repaid to Seller.

2. PAYMENT TERMS

Payment terms are as follows. 2% 10 days (to approved and qualified accounts). Net 30 days. This is a cash discount for invoices paid within 10 days after the invoice date, regardless of date of receipt of shipment. This is not a trade discount and will not be granted to accounts that do not adhere to stated terms.

*All past due accounts are subject to a late payment fee of 1.5% per month or a maximum allowed by law if different, along with the expenses incidental to collection including reasonable attorney's fees and costs.

*Seller reserves the right to hold shipments against past due accounts.

*Seller reserves the right to alter payment terms.

3. FREIGHT TERMS

All shipments will be made F.O.B. shipping point as designated in these Terms and Conditions, and title shall pass at the F.O.B. point. Delivery to the initial common carrier shall constitute delivery to the Purchaser. Any claims for loss or damage during shipment are to be filed with carrier by the Purchaser. Seller will not assume responsibility for the performance of the carrier.

Back orders will be shipped in the most practical fashion with charges consistent with our freight policy established with the original order. UPS, FED EX, MAIL or shipments by other couriers are subject to the same terms and conditions as outlined in paragraph #3 "Freight Terms".

4. DELIVERY, DAMAGES, SHORTAGES

Seller shall use reasonable efforts to attempt to cause the Products to be delivered as provided for in these Terms & Conditions. Delivery to the initial common carrier shall constitute the delivery to the Purchaser. Seller's responsibility, in so far as transportation risks are concerned ceases upon the delivery of the Products in good condition to such carrier at the F.O.B. point and all the Products shall be shipped at the Purchaser's risk. Seller shall not be responsible or liable for any loss of income and/or profits, or incidental, special, consequential damages resulting from Seller's delayed performance in shipment and delivery.

5. RETURN OF DEFECTIVE PRODUCTS

Defective or failed material shall be held at the Purchaser's premises until authorization has been granted by Seller to return or dispose of Products. Products that are to be returned for final inspection must be returned Freight Prepaid in the most economical way. Credit will be issued for material found to be defective upon Seller's inspection based on prices at time of purchase.

6. PRODUCTS ORDERED IN ERROR

Products may be returned, provided that claim is made and Seller is notified within 7 days of receipt of Products, and the Products are in original buyer's possession not more than 30 days prior to return, subject to Seller's approval. If Products are accepted for return, they must be Freight Prepaid and buyer will be charged a minimum of 15% rehandling charge, plus a charge back for outbound freight charges if the original order was shipped prepaid. Returns are not accepted for any Products that are specifically manufactured to meet the buyer's requirement of either specifications or quantity.

AGREEMENTS

These Terms and Conditions constitute the entire agreement between Seller and Purchaser as it relates to terms and conditions of sale, and supersedes any and all prior oral or written agreements, correspondence, quotations or understandings heretofore in force between the parties relating to the subject matter hereof. There are no agreements between Seller and Purchaser with respect to the Product herein except those specifically set forth in and made part of these terms and conditions. Any additional terms, conditions and/or prices are rejected by Seller.

These terms and conditions may be modified, cancelled or rescinded only by a written agreement of both parties executed by their duly authorized agents.

USE ONLY GENUINE EDCO PARTS & ACCESSORIES
For your own safety, the safety of others and the life of your machine.

Equipment Development Company, Inc.

